

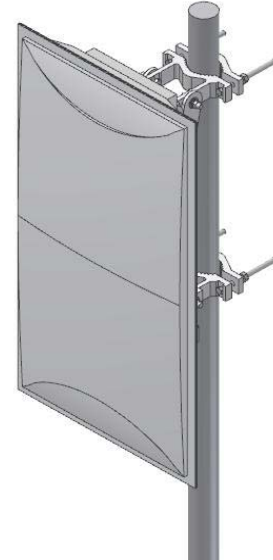
WCDMA ULTRA F-B Panel Antenna

1920 ~ 2170 MHz / 15 dBi

IMT-FBI-15S

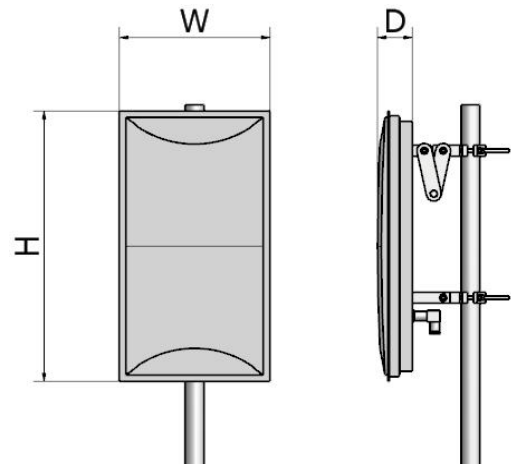
i. Electrical Specification

Frequency Range	1920 ~ 2170 MHz	
Polarization	Horizontal or Circular	
Band Width	250 MHz	
Gain	≥ 15 dBi	
Beam width	Horizontal	42° ± 5°
	Vertical	17° ± 5°
F-B ratio	Horizontal	≥ 30 dB @ 180 ± 90°
	Vertical	≥ 40 dB @ 180 ± 90°
Sidelobe	≥ 30 dB	
VSWR	1 : 1.5	
Impedance	50 Ω	
Maximum input power	100 W	

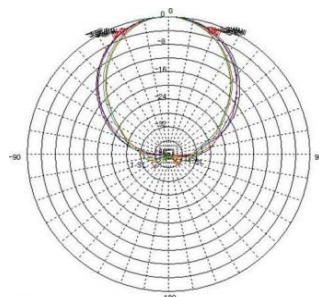


ii. Mechanical Specification

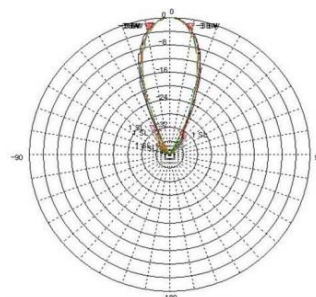
Radom Dimension (H x W x D)	736 x 400 x 90 mm
Weight (Include bracket)	≤ 10 kg
Connector Type	DIN – J Female
Withstand Wind Pressure	60 m/sec
Radome Material	FRP
Radome Color	Gray
Mechanical Down Tilt	20°
Temperature	-40 °C ~ 70 °C
Packing Size (H x W x D) SET	-
Packing Weight SET	-



iii. Radiation Pattern



Horizontal Pattern



Vertical Pattern